

ATA CHAPTER

25 20 00

Passenger Service *Baby Bassinet*



PNR 7250 • Baby Bassinet

- High comfort
- Light-weight 3.5 kg
- Easy handling
- Easy retrofit
- In use at over 100 major airlines

The installation of the baby bassinet is very easy. Designed as a »clip-on« unit using two quick release pip pins which ensure proper locking to the bulkheads, lavatory and galley walls. The installation fittings can be retrofitted without special tools and are available for various wall thickness.

When not in use the bassinet can be folded to a minimum size and stored in stowage's or hatracks.

In accordance with:

- EASA/FAR 25.853
- Airbus and Boeing specifications
- Applicable EASA/FAR chapter 25
- Approved as E-TSO article



Baby Bassinet installation • with fittings PNR 1600-series



PNR 7260-series • Baby Bassinet stowed in carry case

ATA CHAPTER

25 | 20 | 00

Passenger Service **Baby Bassinet**

Specification 7250-series

UNFOLDED DIMENSION

Length: 750 mm 29.50 in
 Width: 340 mm 13.38 in
 Height: 224 mm 8.82 in

Weight: 3,5 kg 7.72 lbs
 Payload: 11,0 kg 24.25 lbs

FOLDED DIMENSION

Packed in carry case PNR 7260-series

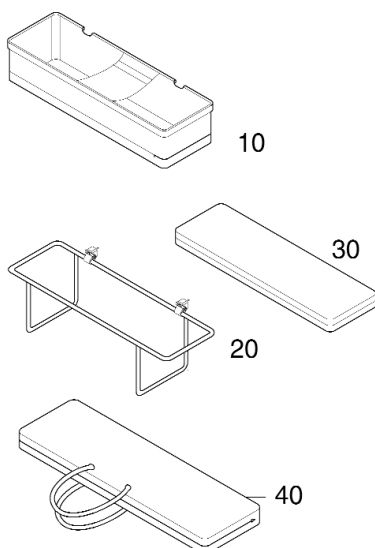
Length: 760 mm 30.00 in
 Width: 375 mm 14.76 in
 Height: 80 mm 3.15 in

CARRY CASE

PNR 7260-series made of fabric or vinyl

Length: 780 mm 30.70 in
 Width: 360 mm 14.17 in
 Height: 60 mm 2.36 in

Weight: 1,0 kg 2.20 lbs



Material

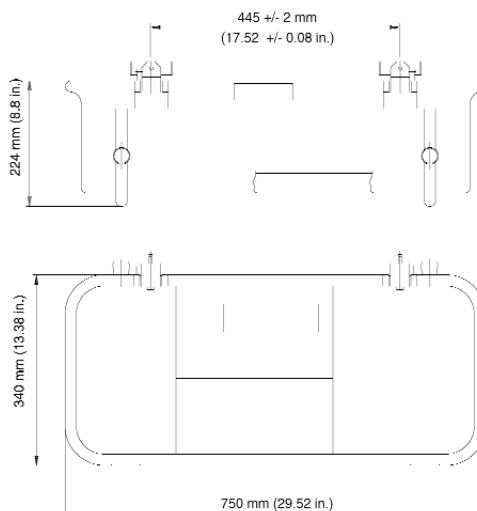
The baby bassinet consists of an aluminum structure (20), a mattress made of an aluminum honeycomb covered with foam (30) which is integrated into the basket (10).

The basket is made of fabric or vinyl. Colors are according to customer requirement. The carry case (40) will be made of the same fabric or vinyl as the basket.

Ultimate design load

The baby bassinet has been tested using a combination of max. inflight loads and the emergency landing conditions according to EASA/FAR 25.561

Forward: 9,0 g
 Downward: 8,6 g
 Upward: 4,0 g
 Sideward: 3,0 g
 Aftward: 1,5 g



PNR 7250-series • Dimensions